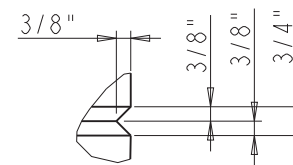
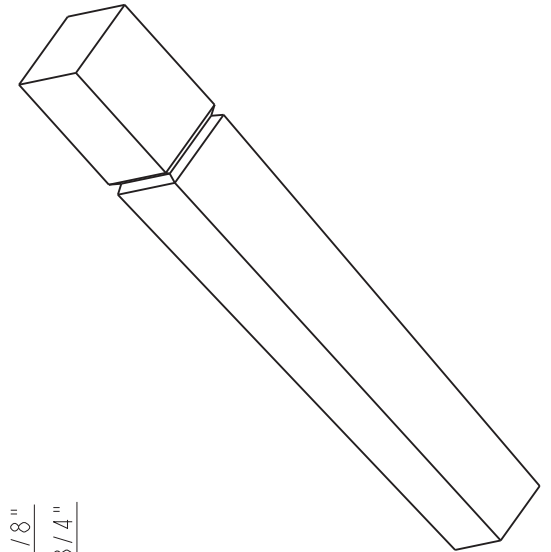


SEE DETAIL A



DETAIL A
SCALE 1:5



	ITEM#: P60-5		MATERIAL:	
	FINISH:		WEIGHT: 0.000 g	
	PROJECTION		DATE: 08/14/14	
	PROPRIETARY AND CONFIDENTIAL THE INFORMATION CONTAINED IN THIS DRAWING IS THE SOLE PROPERTY OF HARDWARE RESOURCES INC. ANY REPRODUCTION IN PART OR AS A WHOLE WITHOUT THE WRITTEN PERMISSION OF HARDWARE RESOURCES INC. IS PROHIBITED.		UNITS: X ±0.20 XX ±0.10 XXX ±0.05 ANGULAR: ±0.5°	DRAWN BY: <i>Hugo Cal</i>
DO NOT SCALE DRAWING		SIZE: A4 SHEET: 1 OF 1	APPROVED BY:	DATE: